



PT-100 TEMPERATURE SENSORS



- STANDARD ACCURACY 1/3 DIN
- FAST RESPONSE
- HYGIENIC
- PROCESS CONNECTIONS
- ALL STAINLESS HOUSING
- VIBRATION RESISTANT
- FAST DELIVERIES
- HEAD MOUNTED TRANSMITTERS

DESCRIPTION

Klay Instruments offers a complete range of PT-100 temperature sensors in 3-wire execution for industrial applications, with various insertion lengths and diameters. Standard accuracy is 1/3 DIN.

Many different process connections are available, such as G $\frac{1}{2}$ ", G1", DIN milkcoupling, Tri-clamp and Flanges.

The connection heads are available in form B (aluminum), BBK (polyamide) or in All Stainless Steel execution with bayonet- or screwcover. Besides the single 3-wire system also a "double" system (2 x PT100) is available.

Various head mounted transmitters can be supplied in the connection heads, with output 4-20 mA or HART Protocol.



All Stainless steel electronics housing

ORDERINGCODE PT-100

ORDERING EXAMPLE Type: **TT - E - C - G - L100 x D9 - S**

EXECUTION PT-100:

- E:** single (1 x PT-100/3-wire)
- D:** double (2 x PT-100/3-wire)

CONNECTION HEAD:

- A:** aluminum (form B)
- B:** polyamide (form BBK)
- C:** SS 304, bayonet cover
- D:** SS 304, screw cover (IP66)

PROCESS CONNECTION:

- Gv:** G $\frac{1}{2}$ " fixed nipple
- Go:** G $\frac{1}{2}$ " turning nipple
- F:** flange (specify size)
- M:** milkcoupling (specify size)
- L:** Tri-Clamp (specify size)
- X:** other connections (specify)

IN-HEAD TRANSMITTER (4-20 mA)

- S:** no transmitter (standard)
- K:** head mounted transmitter (specify range)

DIAMETER SENSOR:

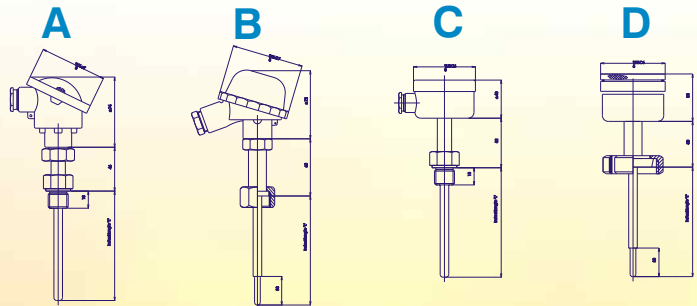
- D6:** 6 mm (straight)
- D8:** 8 mm (, ,)
- D9:** 9 mm (, ,)
- D9/6:** 9 mm, with reduced tip 6 mm
- D..:** other diameter (specify)

INSERTION LENGTH SENSOR:

length (L) probe in mm.

SPECIFICATIONS PT-100

- accuracy class 1/3 DIN (1/5 or 1/10 DIN optional, extra price)
- material "wetted parts": SS 316 (other materials available, i.e. Hast.C)
- material SS connection heads (code C/D): SS 304 (optional: SS 316)
- Please specify longer head extension
- Measuring inserts (option, code P1)



Four different connection heads. From left to right, code A, B, C, and D

SPECIALS

The following specials are available:

- SS head with 2 transmitters (output 2 x 4-20 mA, 2-wire)
- SS head with 1 transmitter and 1 x 3-wire PT-100 signal.



HEAD MOUNTED TRANSMITTER (4-20 mA)

- input: PT-100, 3-wire
- output: 4-20 mA, 2 wire
- power supply: 10-33 Vdc
- accuracy: 0,1% range adjustable

Optional with HART Protocol or Profibus PA
Also available: DIN-rail transmitters.

THERMOWELLS

Our thermowells are available in 3 executions:

- weld-in type
- screw-in (G $\frac{1}{2}$ ", $\frac{3}{4}$ " till 2" BSP/NPT)
- flange (DIN or ANSI)
Standard material: SS 316
- Bar stock executions on request

Please mention at thermowell ordercode:

- processconnection and PT-100 connection
- material thermowell (example: SS 316 or Hast. C)
- dimensions thermowell (length x diameter)



KLAY-INSTRUMENTS

Nijverheidsweg 5
P.O. Box 13
Tel. +31 521-591550
Fax +31 521-592046

7991 CZ DWINGELOO
7990 AA DWINGELOO
Email: info@klay.nl
Website: www.klay.nl